

本表格依据SJ/T 11364的规定编制。

○：表示该有害物质在该部件所有均质材料中的含量均在GB/T 26572现行有效版本规定的限量要求以下。

×：表示有害物质至少在该部件的某一均质材料中的含量超出GB/T 26572现行有效版本规定的限量要求。

注：本表格提供的信息是基于供应商提供的数据及科勒公司的检测结果。

本产品应用环保设计理念，在当前技术水平下，所有有害物质的使用已经控制到了最低程度，科勒公司会继续努力通过改善现有技术来减少这些物质的使用。



本产品的“环保使用期限”为10年，科勒公司根据产品设计特性指定该期限。只有在本产品使用说明所述的正常情况下使用本产品时，“环保使用期限”才有效。

This form is prepared in accordance with the rules in SJ/T 11364.

○：Indicates that the substance in the material composition is below the high limits of the current requirements in GB/T 26572.

×：Indicates that at least one of the homogeneous substance in the material composition is above the high limits of the current requirements in GB/T 26572.

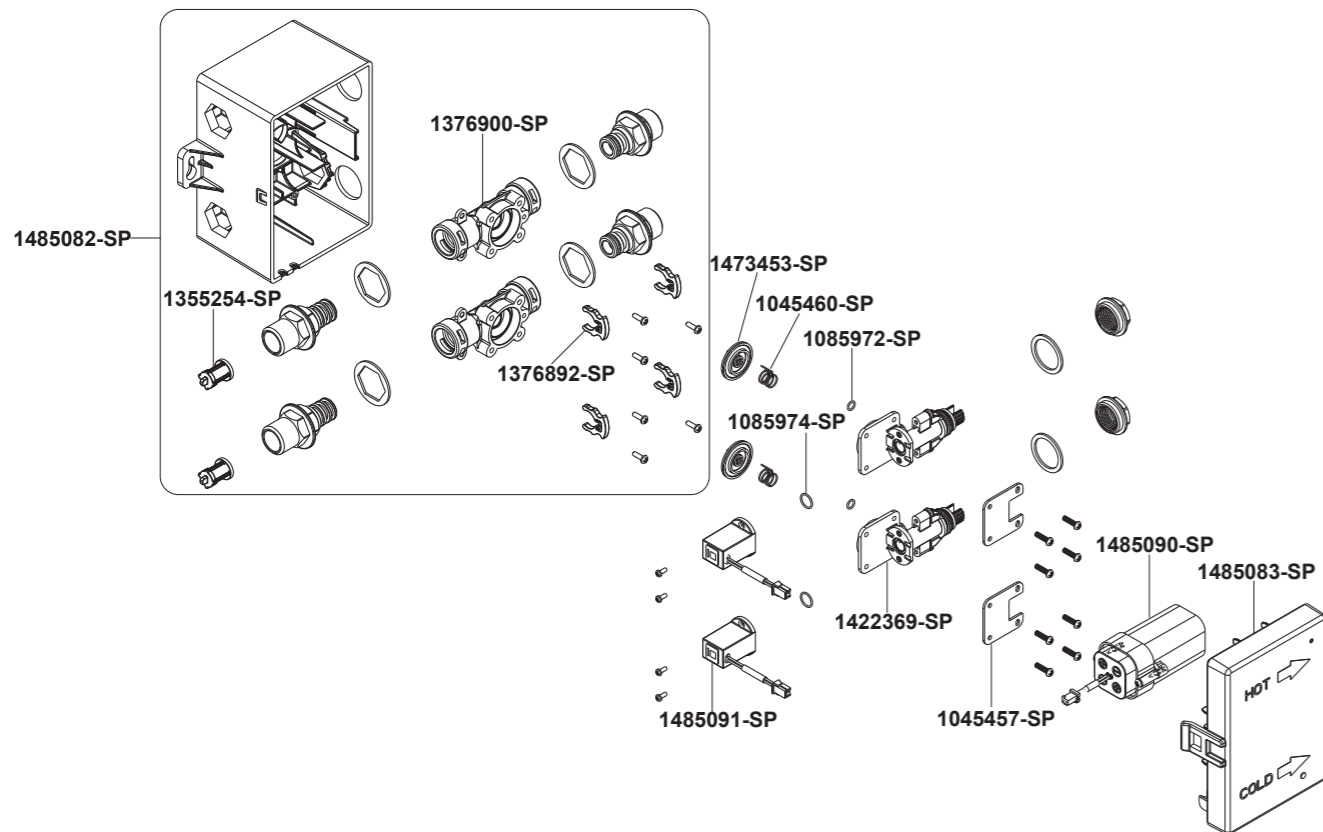
Note: the information provided is based on the supplier data and Kohler inspection results. The product is designed not to hurt the environment. Under current technology, all hazardous materials have been used in the smallest amounts possible. Kohler will strive to reduce the use of these hazardous materials used in this product.



The product “service life for environment protection” is 10 years; Kohler Company will specify product service life based on product characteristics. The product “service life for environment protection” is only effective when the product is used as described in the product specification.

零件图

SERVICE PARTS



**订购时请说明颜色编号

**Color code must be specified when ordering

KOHLER®

INSTALLATION INSTRUCTIONS

安装说明书

Electronic Valve Assembly

29342T-NA 移动式免触开关阀组件

安装之前

所有的资料是按最新出版的产品资料编写而成。科勒公司保留任何时候不经通知即可改变产品特性、包装或产品可供类型的权利。

说明书包括重要的安装、保养及清洁方面的内容，请把这些资料交给用户阅读。

注意事项：

1. 请勿将移动式免触开关阀组件安装在可能与水直接接触的区域。
2. 保持移动式免触开关阀组件使用区域通风干燥。
3. 移动式免触开关阀组件不能安装在对无线信号产生严重屏蔽的地方，例如金属橱柜等。
4. 内附4节AA碱性干电池(5号)。
5. 开关面板和开关阀组件须一起与脸盆龙头搭配才能使用。
6. 开关面板与开关阀组件蓝牙配对方法，请参考龙头或开关面板安装说明书。

BEFORE YOU BEGIN

All information is based on the latest product information available at the time of publication. Kohler Co. reserves the right to make changes in product characteristics, packaging, or availability at any time without notice.

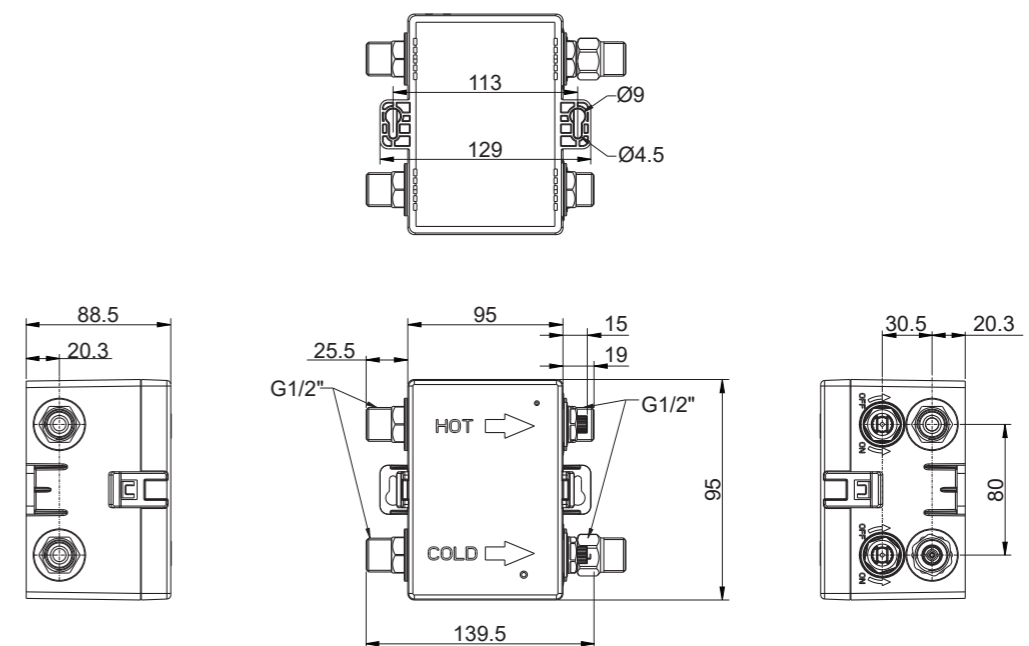
Please leave these instructions for the consumer. They contain important information.

NOTES:

1. Do not install the electronic valve assembly in areas where may contact with water directly.
2. Keep the working area of electronic valve assembly ventilated and dry.
3. The electronic valve assembly can not be installed in areas where severely shield wireless signals, such as metal cabinets.
4. Delivered with four alkaline batteries with “AA” size.
5. The remote puck and electronic valve assembly should be matched with lavatory faucet.
6. The pairing method of remote puck and electronic valve assembly, please refer to installation instructions of the faucet or remote puck.

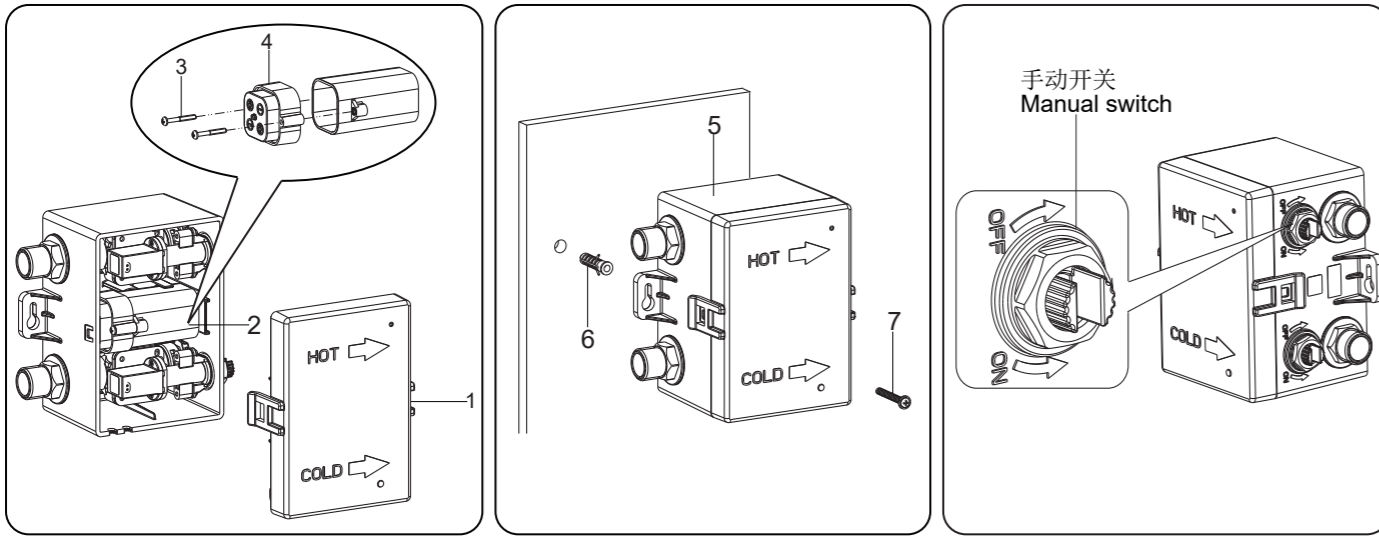
安装尺寸

ROUGH-IN DIMENSIONS



安装步骤

INSTALLATION



如何安装电池

打开开关阀面盖(1)，取出电池盒组件(2)。注意：不要扯断电线。

拧开螺钉(3)，按电池盒盖(4)上的正负极标示分别装入4节5号电池，锁紧电池盒盖的螺钉后，将电池盒组件再放入阀盒专用槽内。重新装回开关阀面盖(1)。

如何安装开关阀组件

根据安装尺寸图确定开关阀组件(5)安装位置，打孔接着打入膨胀(6)，使阀盒紧贴墙面且开关阀向上，再用膨胀螺钉(7)将开关阀组件固定在墙壁上。附带的3M双面胶可用于辅助安装固定。注意：开关阀组件要与墙面保持平行，选择适当位置，以便连接软管。

如何手动操作龙头

电池电量不足且不能及时更换电池时，可通过开启电子阀的手动开关(右侧旋钮用手或借助1元硬币，逆时针拧到底)，实现水龙头的正常使用。更换电池后，关闭手动开关，恢复感应功能。

How to Install the Battery

Open the electronic valve cover(1), remove the battery box kit(2). **NOTE:** Do not break the wires.

Uninstall the screws(3). Install four batteries with "AA" size according to the positive and negative pole marked on the battery box cover(4). After locking the screws on the battery box cover, place the battery box kit into the valve box. Reinstall the electronic valve cover(1).

How to Install the Electronic Valve Assy

Drill the installation hole and insert the expansion plug(6) according to the position of the electronic valve assembly(5) specified in the rough-in dimension. Make sure the valve box against the wall and the electronic valve upwards. Secure the control valve assembly on the wall by the expansion screws(7). The attached 3M double sided tape can assist in installation. **NOTE:** Ensure the electronic valve assembly is paralleled to the wall. Select proper position for connecting hoses.

How to Operate the Faucet Manually

When the battery is low and cannot be replaced in time, the faucet will be worked by turning on the manual switch(right knobs) counter-clockwise fully of the electronic valve by hand or use a coin. After replacing the battery, turn off the manual switch and restore the sensing function.

故障检修

TROUBLESHOOTING

电子阀故障检修表 Electronic Valve Troubleshooting Table

故障现象 Symptoms	可能的原因 Probable Causes	推荐解决方式 Recommended Actions
1. 电子阀漏水。 1. Water leaking from electronic valve.	A. 软管连接不牢。 A. Hose connections are not secure. B. 内部渗漏。 B. Internal leak.	A. 关闭主电源和主供水源。检查所有连接处。根据需要进行调整。 A. Turn off the main power and water supply. Check all connections. Make adjustments as needed. B. 更换电子阀。 B. Replace the electronic valve.
2. 电子阀未启动。 2. Electronic valve is not activated.	A. 线路连接错误或未连接到位。 A. The wires connection is incorrect or not in place. B. 电池电量不足或耗尽。 B. Battery is low or exhausted. C. 免触开关面板与开关阀未成功配对。 C. Remote puck and electronic valve fail to pair. D. 电子阀故障。 D. Electronic valve is failure.	A. 参考“安装步骤”，重新连接线路，确保连接到位。 A. Refer to the "Installation" section. Reconnect the wires and ensure it is in place. B. 参考“免触开关面板LED灯指示说明”，检测是否有低电量提醒或完全不亮，如有，参照电池安装说明更换电池；开关阀里的电池也请及时检查更换。 B. Refer to the "Remote Puck LED Indicators". Check it there is a low battery reminder or it does not lit at all. If yes, refer to the battery installation instructions to replace the battery. Please check and replace the battery in the electronic valve in time. C. 参考“开关面板与开关阀蓝牙配对方法”进行配对。 C. Refer to the "The Pairing Method of Remote Puck and Electronic Valve" for pairing. D. 联系就近的科勒公司授权的专业维修人员。 D. Contact your Kohler Co. Authorized Service Representative.
3. 传感器间歇性运作。 3. Intermittent sensor operation.	A. 开关面板的感应窗口表面有杂质。 A. Debris on the sensor len of the remote puck.	A. 用中性肥皂水轻轻地去除感应窗口表面上的杂质。 A. Use mild soap and water to gently remove debris from the sensor lens.

有害物质统计表

Statistics of Contents of Toxic or Hazardous Substances or Elements

部件名称 Part Name	有害物质 Toxic or Hazardous Substance or Elements					
	铅 Lead (Pb)	汞 Mercury (Hg)	镉 Cadmium (Cd)	六价铬 Hexavalent Chromium (Cr(VI))	多溴联苯 Polybrominated Biphenyls (PBB)	多溴二苯醚 Polybrominated Diphenyl Ethers (PBDE)
阀盒组件 Valve Box Assy.	×	○	○	○	○	○
传感器组件 Sensor Assy.	○	○	○	○	○	○
电子阀组件 Electronic Valve Assy.	○	○	○	○	○	○
电池 Battery	○	○	○	○	○	○
软管 Hose	×	○	○	×	○	○